



EADIPS®
FGR®

**European Association for
Ductile Iron Pipe Systems**

Fachgemeinschaft Guss-Rohrsysteme

EADIPS®/FGR® STANDARD

2013-06

Ductile iron fittings Double socket tees with flanged branch and all-flanged tees Dimensions		EADIPS®/FGR® 73
Formstücke aus duktilem Gusseisen MMA- und T-Stücke Maße		Replaces 2012-02 edition
Amendments To Normative references To dimensions		
Contents		Page
1. Scope		2
2. Normative references		2
3. Dimensions		3
3.1 Double socket tees with flanged branch		3
3.2 All-flanged tees		6
4. Material, coating		8
5. Marking		8
Except where consented to by the European Association for Ductile Iron Pipe Systems · EADIPS® / Fachgemeinschaft Guss-Rohrsysteme (FGR®) e. V., EADIPS®/FGR® standards may only be published or reproduced with their form and content unamended. The consent of the EADIPS®/FGR® is required for the reproduction of an EADIPS®/FGR® standard in any shortened form.		
European Association for Ductile Iron Pipe Systems · EADIPS® / Fachgemeinschaft Guss-Rohrsysteme (FGR®) e. V. Im Leuschnerpark 4 · 64347 Griesheim/Germany · E-Mail: info@eadips.org · www.eadips.org		

1. Scope

Where ductile iron double socket tees with flanged branch and all-flanged tees for water pipelines and sewer pipelines are not covered in EN 545 or EN 598, i.e. where their dimensions differ from those given in EN 545 or EN 598 by more than the limit deviations given in those standards, this standard specifies their dimensions.

2. Normative references

EN 545

Ductile iron pipes, fittings, accessories and their joints for water pipelines –
Requirements and test methods
2010

EN 598

Ductile iron pipes, fittings, accessories and their joints for sewerage applications –
Requirements and test methods
2007+A1:2009

EN 1092-2

Flanges and their joints –
Circular flanges for pipes, valves, fittings and accessories, PN designated -
Part 2: Cast iron flanges
1997

DIN 28601

Ductile iron pipes and fittings - Screwed socket joints -
Assembly, sockets, screw rings, sealing rings and slip rings
2000-06

DIN 28602

Ductile iron pipes and fittings - Bolted gland joints -
Assembly, sockets, counter ring, sealing ring, bolts and nuts
2000-05

DIN 28603

Ductile iron pipes and fittings - Push-in joints -
Survey, sockets and gaskets
2002-05

DVGW GW 368

Längskraftschlüssige Muffenverbindungen für Rohre, Formstücke und Armaturen aus duktilem
Gusseisen und Stahl
(Ductile iron and steel pipes, fittings and valves – restrained socket joints)
2013-02

EADIPS®/FGR® 33

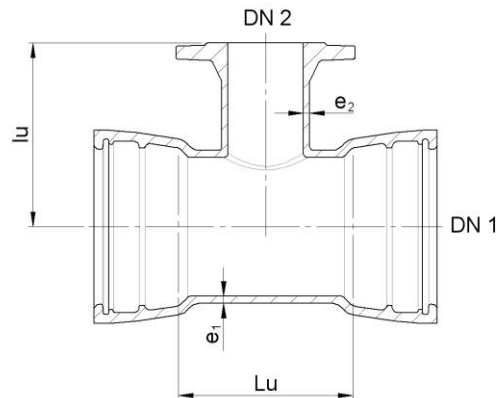
Ductile iron pipes and fittings –
Marking of ductile iron pipes and fittings
2013-06

3. Dimensions

All the dimensions and nominal values in the following tables are given in millimetres. The values for Lu and lu have been rounded up or down to the closest multiple of five.

3.1 Double socket tees with flanged branch

Symbol



Dimensions in mm

DN 1	DN 2	e ₁	Lu	e ₂	lu	PN 10	PN 16	PN 25	PN 40
80	40	7	170	7	155	X	X	X	X
80	50	7	170	7	160	X	X	X	X
80	65	7	170	7	160	X	X	X	X
100	40	7,2	170	7	170	X	X	X	X
			190						
100	50	7,2	170	7	170	X	X	X	X
			190						
100	65	7,2	190	7	170	X	X	X	X
					175				
125	40	7,5	170	7	185	X	X	X	X
			195						
125	50	7,5	195	7	185	X	X	X	X
125	65	7,5	150	7	190	X	X	X	X
125	80	7,5	195	7	190	X	X	X	X
150	40	7,8	170	7	195	X	X	X	X
150	50	7,8	170	7	200	X	X	X	X
			195						
150	125	7,8	255	7,5	220	X	X	X	X
200	40	8,4	175	7	230	X	X	X	X
			200						
200	50	8,4	175	7	230	X	X	X	X
			200		230				
			200		265				
200	125	8,4	255	7,5	250	X	X	X	X
250	40	9	200	7	265	X	X	X	X
250	50	9	200	7	265	X	X	-	-
300	250	9,6	430	9	330	X	X	X	X

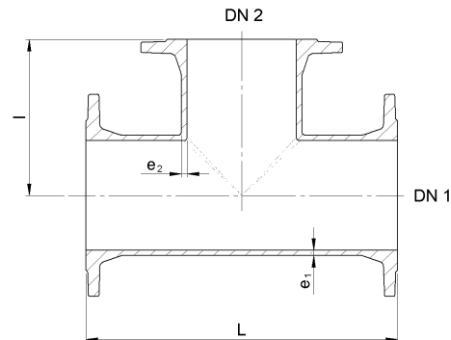
DN 1	DN 2	e ₁	Lu	e ₂	lu	PN 10	PN 16	PN 25	PN 40
350	80	10,2	185	7	325	X	X	X	X
			205						
350	150	10,2	325	7,8	340	X	X	X	X
350	250	10,2	495	9	360	X	X	X	X
					370				
350	300	10,2	495	9,6	370	X	X	X	X
400	250	10,8	440	9	390	X	X	X	X
400	350	10,8	560	10,2	405	X	X	X	X
					415				
500	80	12	215	7	415	X	X	X	X
500	150	12	330	7,8	430	X	X	X	X
500	250	12	450	9	450	X	X	X	X
500	300	12	450	9,6	460	X	X	X	X
500	350	12	565	10,2	470	X	X	X	X
600	80	13,2	340	7	475	X	X	X	X
600	100	13,2	340	7,2	470	X	X	X	X
					480				
600	150	13,2	340	7,8	480	X	X	X	X
					490				
600	250	13,2	570	9	510	X	X	X	X
600	300	13,2	460	9,6	520	X	X	X	X
			570						
600	350	13,2	570	10,2	530	X	X	X	X
600	500	13,2	800	12	550	X	X	X	X
					560			-	-
700	80	14,4	345	7	505	X	X	X	-
					510				
700	100	14,4	345	7,2	510	X	X	X	-
700	150	14,4	345	7,8	520	X	X	X	-
700	250	14,4	575	9	535	X	X	X	-
			365						
700	300	14,4	575	9,6	540	X	X	X	-
700	500	14,4	925	12	570	X	X	X	-
700	600	14,4	925	13,2	585	X	X	X	-
800	100	15,6	350	7,2	570	X	X	X	-
800	150	15,6	303	7,8	580	X	X	X	-
			350						
800	250	15,6	360	9	585	X	X	X	-
			580		590				
800	300	15,6	580	9,6	600	X	X	X	-
800	350	15,6	580	10,2	605	X	X	-	-
					615				
800	500	15,6	1045	12	630	X	X	X	-
800	700	15,6	1045	14,4	670	X	X	-	-
900	100	16,8	355	7,2	630	X	X	X	-
900	150	16,8	355	7,8	640	X	X	X	-
900	250	16,8	375	9	635	X	X	X	-
			355		645				
900	300	16,8	590	9,6	660	X	X	X	-
900	500	16,8	1170	12	690	X	X	X	-
900	800	16,8	1170	15,6	735	X	X	X	-

DN 1	DN 2	e ₁	Lu	e ₂	lu	PN 10	PN 16	PN 25	PN 40
1000	150	18	360	7,8	700	X	X	X	-
			385		705				
1000	250	18	400	9	705	X	X	X	-
			380		710				
1000	300	18	595	9,6	720	X	X	X	-
1000	350	18	595	10,2	730	X	X	X	-
1000	500	18	1290	12	750	X	X	X	-
1000	700	18	1290	14,4	780	X	X	X	-
1000	800	18	1290	15,6	795	X	X	X	-
1000	900	18	1290	16,8	810	X	X	X	-
1200	200	20,4	375	8,4	825	X	X	X	-
1200	250	20,4	810	9	875	X	X	X	-
1200	400	20,4	605	10,8	855	X	X	X	-
1200	600	20,4	840	13,2	855	X	X	X	-
			1525		885				
1200	800	20,4	1070	15,6	915	X	X	X	-
			1525						
1200	1000	20,4	1275	18	900	X	X	X	-
			1300		945				
			1525		800				
1200	1200	20,4	1525	20,4	800	X	X	X	-
					900				

X : Available from member companies of the EADIPS®/FGR®

3.2 All-flanged tees

Symbol



Dimensions in mm

DN 1	DN 2	e ₁	L	e ₂	I	PN 10	PN 16	PN 25	PN 40
80	40	7	330	7	160	X	X	X	X
80	50	7	330	7	160	X	X	X	X
80	65	7	330	7	160	X	X	X	X
100	40	7,2	360	7	170	X	X	X	X
100	50	7,2	360	7	170	X	X	X	X
100	65	7,2	360	7	170	X	X	X	X
125	40	7,5	400	7	185	X	X	X	X
125	50	7,5	400	7	185	X	X	X	X
125	65	7,5	400	7	185	X	X	-	-
150	40	7,8	440	7	194	X	X	X	X
			500						
150	50	7,8	440	7	200	X	X	X	X
150	65	7,8	440	7	200	X	X	-	-
200	50	8,4	520	7	225	X	X	X	X
			600						
200	125	8,4	520	7,5	245	X	X	X	X
250	50	9	700	7	255	X	X	X	X
					275				
250	80	9	700	7	265	X	X	X	X
250	125	9	700	7,5	275	X	X	X	X
250	150	9	700	7,8	300	X	X	X	X
300	50	9,6	800	7	280	X	X	X	X
					300				
300	80	9,6	800	7	290	X	X	X	X
300	125	9,6	800	7,5	300	X	X	X	X
					305				
300	150	9,6	800	7,8	325	X	X	X	X
300	250	9,6	800	9	375	X	X	X	X
					400				
350	80	10,2	850	7	320	X	X	X	X
					325				
350	150	10,2	850	7,8	325	X	X	X	X
350	250	10,2	850	9	325	X	X	X	X
350	300	10,2	850	9,6	425	X	X	X	X

DN 1	DN 2	e ₁	L	e ₂	I	PN 10	PN 16	PN 25	PN 40
400	80	10,8	900	7	350	X	X	X	X
400	150	10,8	900	7,8	350	X	X	X	X
400	250	10,8	900	9	350	X	X	X	X
400	300	10,8	900	9,6	450	X	X	X	X
400	350	10,8	900	10,2	450	X	X	X	X
500	80	12	1000	7	400	X	X	X	X
500	150	12	1000	7,8	400	X	X	X	X
500	250	12	1000	9	400	X	X	X	X
500	300	12	1000	9,6	500	X	X	X	X
500	350	12	1000	10,2	500	X	X	X	X
600	80	13,2	1100	7	450	X	X	X	X
600	100	13,2	1100	7,2	450	X	X	X	X
600	150	13,2	1100	7,8	450	X	X	X	X
600	250	13,2	1100	9	450	X	X	X	X
600	300	13,2	1100	9,6	550	X	X	X	X
600	350	13,2	1100	10,2	550	X	X	X	X
600	500	13,2	1100	12	550	X	X	X	X
700	100	14,4	650	7,2	510 525	X	X	X	-
700	150	14,4	1200 650	7,8	500 525	X	X	X	-
700	250	14,4	1200 870	9	500 555	X	X	X	-
700	300	14,4	870	9,6	540 555	X	X	X	-
700	350	14,4	870 1200	10,2	555 600	X	X	X	-
700	500	14,4	1200	12	570 600	X	X	X	-
700	600	14,4	1200	13,2	585 600	X	X	X	-
800	100	15,6	690	7,2	570	X	X	X	-
800	150	15,6	690	7,8	580	X	X	X	-
800	250	15,6	690	9	585	X	X	X	-
800	300	15,6	910	9,6	600	X	X	X	-
800	350	15,6	910 1300	10,2	615 650	X	X	X	-
800	500	15,6	1350	12	630 645	X	X	X -	-
800	700	15,6	1300 1350 1300	14,4	650 650 675	X	X	X X -	-
900	100	16,8	730	7,2	640	X	X	X	-
900	250	16,8	730	9	635	X	X	X	-
900	300	16,8	950	9,6	660	X	X	X	-
900	500	16,8	1500	12	690	X	X	X	-

DN 1	DN 2	e ₁	L	e ₂	I	PN 10	PN 16	PN 25	PN 40
1000	250	18	770	9	705	X	X	X	-
1000	300	18	990	9,6	735	X	X	X	-
			1500		750				
1000	500	18	1500	12	750	X	X	X	-
			1650		825				
1000	700	18	1500	14,4	750	X	X	X	-
			1650		825				
1000	800	18	1500	15,6	750	X	X	X	-
			1650		825				
1000	900	18	1500	16,8	750	X	X	X	-
			1650		825				
1200	200	20,4	850	8,4	825	X	X	X	-
			1240		840				
1200	250	20,4	1215	9	875	X	X	X	-
			1240		840				
1200	400	20,4	1070	10,8	855	X	X	X	-
			1240						
1200	600	20,4	1240	13,2	885	X	X	X	-
			1950						
1200	1200	20,4	1950	20,4	800	X	X	X	-
					975				
			1900		950				

X : Available from member companies of the EADIPS®/FGR®

4. Material, coatings

Material and coatings are to be in accordance with EN 545 for water pipelines and in accordance with EN 598 for sewer pipelines.

5. Marking

Marking is to be in accordance with EN 545, EN 598 and EADIPS®/FGR® 33.