



EADIPS®
FGR®

**European Association for
Ductile Iron Pipe Systems**

Fachgemeinschaft Guss-Rohrsysteme

EADIPS®/FGR® STANDARD

2013-06

Ductile iron fittings
Double flanged bends
Dimensions

EADIPS®/FGR® 71

Formstücke aus duktilem Gusseisen

FFK- und Q-Stücke

Maße

Replaces 2012-02 edition

Amendments

To Normative references

To dimensions

Contents

Page

1.	Scope	2
2.	Normative references	2
3.	Dimensions	3
3.1	11° double flanged bends	3
3.2	22° double flanged bends	4
3.3	30° double flanged bends	5
3.4	90° double flanged bends	6
4.	Material, coatings	6
5.	Marking	6

Except where consented to by the European Association for Ductile Iron Pipe Systems · EADIPS® / Fachgemeinschaft Guss-Rohrsysteme (FGR®) e. V., EADIPS®/FGR® standards may only be published or reproduced with their form and content unamended. The consent of the EADIPS®/FGR® is required for the reproduction of an EADIPS®/FGR® standard in any shortened form.

European Association for Ductile Iron Pipe Systems · EADIPS® / Fachgemeinschaft Guss-Rohrsysteme (FGR®) e. V.
Im Leuschnerpark 4 · 64347 Griesheim/Germany · E-Mail: info@eadips.org · www.eadips.org

1. Scope

Because certain ductile iron double flanged bends which have flanges in accordance with EN 1092-2 are not covered in EN 545 or EN 598, this standard specifies their dimensions.

2. Normative references

EN 545

Ductile iron pipes, fittings, accessories and their joints for water pipelines –
Requirements and test methods
2010

EN 598

Ductile iron pipes, fittings, accessories and their joints for sewerage applications –
Requirements and test methods
2007+A1:2009

EN 1092-2

Flanges and their joints - Circular flanges for pipes, valves, fittings and accessories,
PN designated –
Part 2: Cast iron flanges
1997

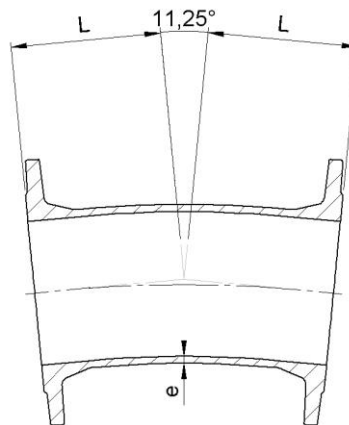
EADIPS®/FGR® 33

Ductile iron pipes and fittings –
Marking of ductile iron pipes and fittings
2013-06

3. Dimensions

3.1 11° double flanged bends

Symbol



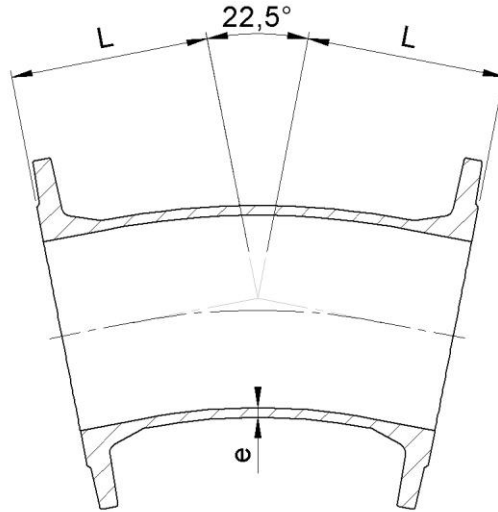
Dimensions in mm

DN	e	L	PN 10	PN 16	PN 25	PN 40
80	7	120			X	
		130			X	
100	7,2	140	X		X	
125	7,5	150	X		X	
150	7,8	160	X		X	
200	8,4	180	X	X	X	X
250	9	210	X	X	X	X
300	9,6	255	X	X	X	X
350	10,2	105	X	X	X	-
400	10,8	113	X	X	X	-
400	10,8	220	X	X	X	-
500	12	135	X	X	X	-
600	13,2	174	X	X	X	-
700	14,4	194	X	X	X	-
800	15,6	213	X	X	X	-
900	16,8	280	X	X	X	-
1000	18	310	X	X	X	-
1200	20,4	346	X	X	X	-

X : Available from member companies of the
EADIPS®/FGR®

3.2 22° double flanged bends

Symbol



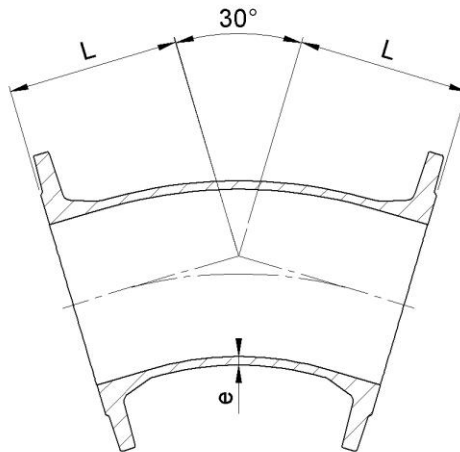
Dimensions in mm

DN	e	L	PN 10	PN 16	PN 25	PN 40
80	7	130	X			
100	7,2	140	X		X	
125	7,5	150	X		X	
150	7,8	160	X		X	
200	8,4	180	X	X	X	X
250	9	210	X	X	X	X
300	9,6	255	X	X	X	X
350	10,2	140	X	X	X	-
400	10,8	153	X	X	X	-
400	10,8	270	X	X	X	-
500	12	185	X	X	X	-
600	13,2	254	X	X	X	-
700	14,4	284	X	X	X	-
800	15,6	314	X	X	X	-
900	16,8	375	X	X	X	-
1000	18	410	X	X	X	-
1200	20,4	467	X	X	X	-

X : Available from member companies of the
 EADIPS®/FGR®

3.3 30° double flanged bends

Symbol

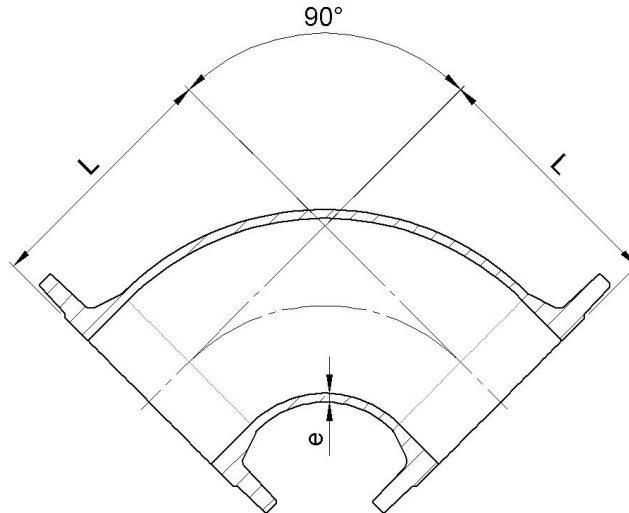


Dimensions in mm

DN	e	L	PN 10	PN 16	PN 25	PN 40
80	7	120	X			
		130	X			
100	7,2	140	X		X	
125	7,5	150	X		X	
150	7,8	160	X		X	
200	8,4	180	X	X	X	X
250	9	210	X	X	X	X
300	9,6	255	X	X	X	X
350	10,2	165	X	X	X	-
400	10,8	183	X	X	X	-
500	12	220	X	X	X	-
600	13,2	309	X	X	X	-
700	14,4	346	X	X	X	-
800	15,6	383	X	X	X	-
900	16,8	420	X	X	X	-
1000	18	455	X	X	X	-
1200	20,4	530	X	X	X	-
X : Available from member companies of the EADIPS®/FGR®						

3.4 90° double flanged bends

Symbol



Dimensions in mm

DN	e	L	PN 10	PN 16	PN 25	PN 40
1200	20,4	1300	X	X	X	-
X : Available from member companies of the EADIPS®/FGR®						

4. Material, coatings

Material and coatings are to be in accordance with EN 545 for water pipelines, in accordance with EN 598 for sewer pipelines and in accordance with EN 1092-2 for ductile iron flanges.

5. Marking

Marking is to be in accordance with EN 545, EN 598 and EADIPS®/FGR® 33.